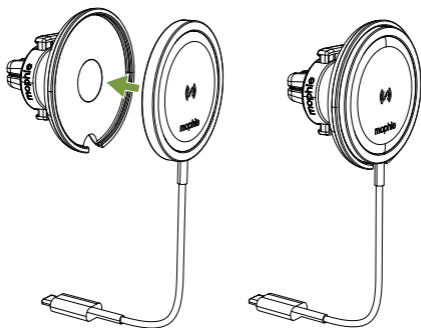




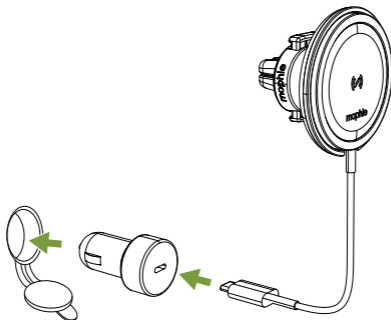
snap+ wireless vent mount

OPERATING INSTRUCTIONS

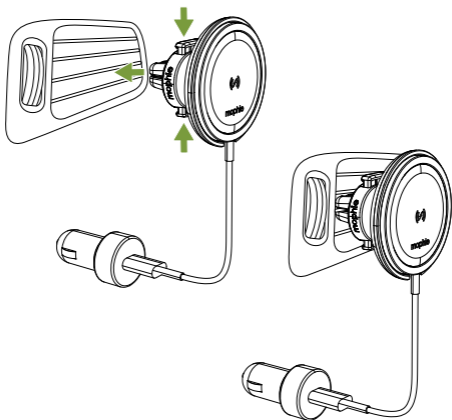
1



2

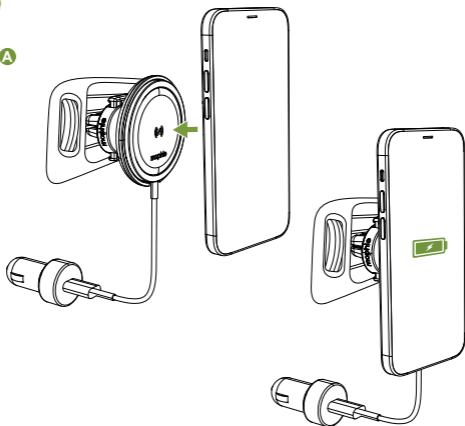


3



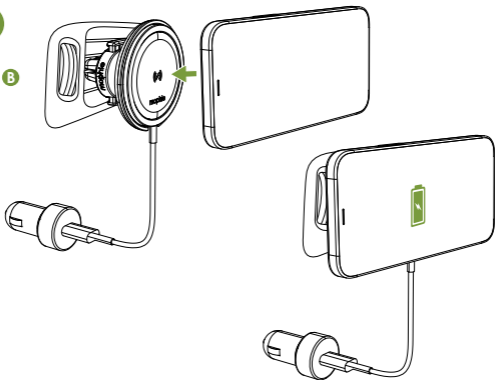
4

A



4

B



Warranty

At mophie, we are dedicated to making the best quality products. To back this up, this product is warranted for 2 years. For full details regarding warranty terms and exclusions, please visit: mophie.com/warranty. This warranty does not affect any statutory rights that you may be entitled to. Keep a copy of your purchase receipt as proof of purchase. Be sure to register your product at mophie.com. Failure to register your product and/or provide proof of purchase may void the warranty.

Customer Service

Telephone: 1-888-8mophie

International: +1 (269) 743-1340

Web: www.mophie.com/cs

IMPORTANT SAFETY INSTRUCTIONS

Warning

Read all instructions and warnings prior to using this product. Improper use of this product may result in product damage, excess heat, toxic fumes, fire or explosion, for which damages you ("Purchaser"), and not mophie llc ("Manufacturer") are responsible.

- ⚠ Do not direct heated air from the vent onto the vent mount while the vent mount is attached to the vent. When running the vehicle's heater, completely close the vent the vent mount is attached to, or direct the heated air out the vehicle's lower vents and entirely away from the upper vents.
- ⚠ Do not store device in high-temperature environment, including heat caused by intense sunlight or other forms of heat. Do not place device in fire or other excessively hot environments.
- ⚠ Do not disassemble this device or attempt to re-purpose or modify it in any manner.
- ⚠ Do not attempt to power this device using any method, apparatus, or connection other than the device's USB-C connector. For questions or instructions for the various ways to power the device refer to the illustrations in this quick-start guide.
- ⚠ Do not attempt to replace any part of this device.
- ⚠ If this device is intended by Purchaser to be used by a minor, purchasing adult agrees to provide detailed instructions and warnings to any minor prior to use. Failure to do so is sole responsibility of purchaser, who agrees to indemnify Manufacturer for any unintended use/misuse by a minor.
- ⚠ All products have gone through a thorough quality assurance inspection. If you find that your device is excessively hot, is emitting odor, is deformed, abraded, cut or is experiencing or demonstrating an abnormal phenomenon, immediately stop all product use and contact Manufacturer.
- ⚠ To comply with FCC RF exposure compliance requirements, this wireless charging device must be used with a separation distance of at least 20 cm from all persons.
- ⚠ This product is intended exclusively for use in motor vehicles.

SAVE THESE INSTRUCTIONS

Legal

This product is meant for use only in conjunction with the appropriate device. Please consult your device packaging to determine whether this product is compatible with your particular device. Manufacturer is not responsible for any damages to any device incurred through the use of this product.

Manufacturer shall not in any way be liable to you or to any third party for any damages you or any third party may suffer as a result of use, intended or unintended, or misuse of this product in conjunction with any device or accessory other than the appropriate device for which this product is designed. Manufacturer will not be responsible for any damages you or any third party may suffer as a result of misuse of this product as outlined above. Purchaser agrees to defend, indemnify, and hold Manufacturer harmless for any claims or damages arising from unintended use or misuse, including use with an unintended device.

mophie, Stay Powerful, and the mophie logo are trademarks of mophie inc. Apple, the Apple Logo, and MagSafe are trademarks of Apple Inc., registered in the US and other countries. USB-C is a trademark of USB Implementers Forum. All rights reserved. Patents: mophie.com/patents.

This device complies with part 15 of the FCC Rules and RSS-Gen of IC Rules. Operation is subject to the following two conditions: (1) This device may not cause harmful interference, and (2) this device must accept any interference received, including interference that may cause undesired operation.

NOTE: This equipment has been tested and found to comply with the limits for a Class B digital device, pursuant to part 15 of the FCC Rules. These limits are designed to provide reasonable protection against harmful interference in a residential installation. This equipment generates, uses, and can radiate radio frequency energy and, if not installed and used in accordance with the instructions, may cause harmful interference to radio communications. However, there is no guarantee that interference will not occur in a particular installation.

If this equipment does cause harmful interference to radio or television reception, which can be determined by turning the equipment off and on, the user is encouraged to try to correct the interference by one or more of the following measures:

- Reorient or relocate the receiving antenna.
- Increase the separation between the equipment and receiver.
- Connect the equipment into an outlet on a circuit different from that to which the receiver is connected.
- Consult the dealer or an experienced radio/TV technician for help.

CAUTION: To comply with the limits of the Class B digital device, pursuant to Part 15 of the FCC Rules, this device must be used with certified peripherals and shielded cables. All peripherals must be shielded and grounded. Operation with non-certified peripherals or non-shielded cables may result in interference to radio or reception.

This equipment complies with FCC radiation exposure limits set forth for an uncontrolled environment. This equipment should be installed and operated with minimum distance 20cm between the radiator & your body.

Any changes or modifications not expressly approved by the party responsible for compliance could void the user's authority to operate the equipment.

MODIFICATION: Any changes or modifications of this device could void the warranty.

STATEMENT OF COMPLIANCE:

Hereby, mophie declares that the radio equipment wireless charging base is in compliance with Directive 2014/53/EU. The full text of the EU declaration of conformity is available at the following internet address: http://www.mophie.com/cert_red



WEEE DECLARATION: All of our products are marked with the WEEE symbol; this indicates that this product must NOT be disposed of with other waste. Instead it is the user's responsibility to dispose of their waste electrical and electronic equipment by handing it over to an approved re-processor, or by returning it to mophie for reprocessing. For more information about where you can send your waste equipment for recycling, please contact mophie, inc. or one of your local distributors.

 **STAY POWERFUL[®]**

Customer Service

Telephone: 1-888-8mophie (1-888-866-7443)

International: +1 (269) 743-1340

Web: www.mophie.com/cs

mophie, powerstation, Stay Powerful, and the mophie logo are trademarks of mophie inc.
All rights reserved. Patents: mophie.com/patents. USB-C is a trademark of USB Implementers Forum.