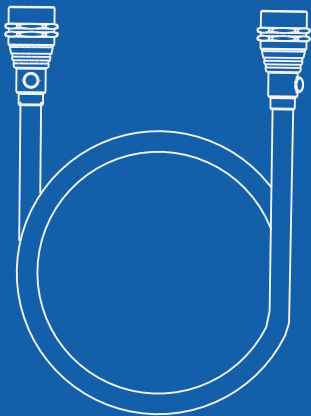




# HALO<sup>®</sup>

## FLEXLIGHT



### **Operating Instructions**

## **HALO FLEXLIGHT**

Thank you for choosing HALO. The HALO Flexlight is the most versatile flashlight yet! With its 34 inch flexible gooseneck, these flashlights can be molded into any shape you need making it a great hands free tool. Each end is equipped with a bright LED light and strong magnets which allows users to retrieve objects in hard to reach and dark areas.

## **CONTENTS**

Included Items

Getting Started

Operating Instructions

Storing/Handling/Cleaning

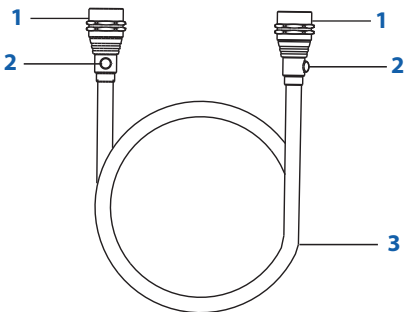
Safety Precautions

Specifications, Warranty

Contact Information

## INCLUDED ITEMS

- 1 HALO LED Flexlight
- 3 coin cell (LR44) Batteries per tip
- Operating Instructions



## DIAGRAM IDENTIFIERS

1. LED Light
2. Flashlight Power Button
3. Flexible Body

## GETTING STARTED

- Unscrew both flashlight ends of the HALO Flexlight and remove the plastic cover protecting the coin cell (LR44) batteries (included).
- To replace batteries, open each end of the flashlight and replace the coin cell batteries.

## **OPERATING INSTRUCTIONS**

### **TO TURN ON/OFF**

- To turn On the flashlight, press the black power button. Both ends of the HALO Flexlight are equipped with an individual power button. The black button can be found on both ends. Press the button again to turn off.

## **STORING/HANDLING/CLEANING**

- Do not get wet or store in extreme temperature conditions
- Do not disassemble the HALO LED Flexlight or attempt to repair it.
- If the flashlight gets dirty, clean it with a dry cloth. Do not use liquid detergent or chemicals of any kind.
- If your flashlight is accidentally submersed or exposed to water, dry out any water before using again.
- Do not store batteries in the sunlight for long periods of time, they may leak and damage the flashlight.

## **SAFETY PRECAUTIONS**

When used in the directed manner, this unit has been designed and manufactured to ensure your personal safety. However, improper use can result in potential electrical shock or fire hazards. Please read all safety and operating instructions carefully before installation and use, and keep these instructions handy for future reference.

- When the flashlight is on, never look directly at the illuminated LEDs.
- Batteries should be recycled or disposed of as per state and local guidelines.

## **WARNING ON BATTERIES**

- Never mix alkaline, standard (carbon-zinc) and rechargeable (nickel hydride).
- Don't mix new and used batteries.
- Don't attempt to recharge non rechargeable batteries.

- Remove rechargeable batteries from the device before charging them.
- Rechargeable batteries must always be recharged under adult supervision.
- Remove used batteries.
- Always use the recommended or equivalent battery types.
- Always pay attention to battery polarity.

**WARNING:** You should not dispose of batteries with your household waste. A selective collection system for this type of product is implemented by your local authorities. Please contact your local authorities to find out how and where collection takes place. These restrictions apply because electrical and electronic devices contain dangerous substances that have harmful effects on the environment or on human health and must be recycled.

## **FLASHLIGHT SPECIFICATIONS**

- Model: H2C-FL
- 6 LED (3 on each end)
- Size: 876(L)x23.8(Head Dia.)x11(Body Dia.) mm
- Weight: 274g
- Battery: 6X Coin Cell (LR44 ) (3 on each end included)
- Output/Runtime: Head 3 white LEDs 6 lumens, 20 hours
- Working mode: 6 LEDs ON/OFF

## LIMITED WARRANTY

HALO2CLOUD, LLC warrants its products to be free from defects in material and workmanship under normal use. Conditions are as follows:

- During the first 90 days from date of purchase, HALO2CLOUD, LLC will repair or replace the defective product.
- HALO2CLOUD, LLC will, subject to inspection, repair the defective product or replace it with a new or reconditioned unit. The return must be accompanied by a Return Merchandise Authorization (RMA) number to be issued upon request, and must be shipped prepaid.
- Warranty is void if the product has been improperly handled or misused in any way, or if the label and/or bar-coded warranty label has been removed or tampered with.
- Where applicable, all requests for warranty returns must be accompanied by a proof of purchase.
- The warranty does not extend to the electronic equipment that is used or which incorporates with any of our products and accessories. HALO2CLOUD, LLC shall not be held responsible for the improper use of its products.
- For all questions or exchange requests, please call 888-907-6274, or email us at [support@BestHALO.com](mailto:support@BestHALO.com)

To contact us, email us at  
[support@BestHALO.com](mailto:support@BestHALO.com)  
or call 888-907-6274

The HALO Logo is a registered  
trademark of HALO2CLOUD, LLC

Designed by Halo2Cloud, LLC. in USA  
Patent Pending. Made in China.

HALO2CLOUD, LLC  
6 Central Row  
Hartford, CT 06103  
[www.BestHALO.com](http://www.BestHALO.com)